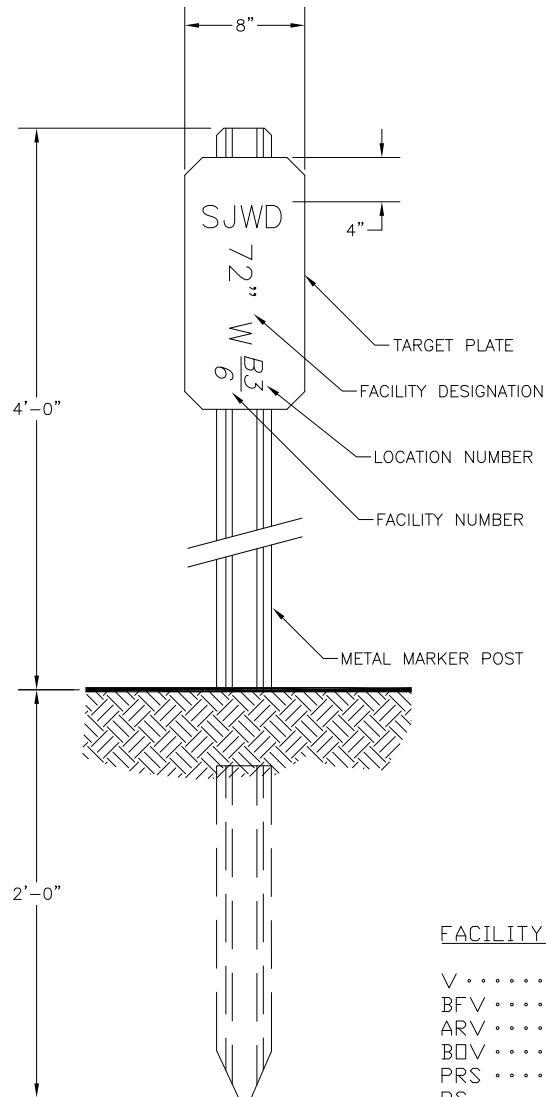


**NOTES:**

1. INSTALL GUIDE MARKERS IN UNIMPROVED AREAS AND ALONG GRAVEL & DIRT ROADS.
2. TARGET PLATE AND METAL MARKER POST SHALL CONFORM TO SECTION 82 OF THE CURRENT CALIFORNIA STANDARD SPECIFICATIONS AND DRAWING A-74.
3. FIBERGLASS MARKERS MAY BE SUBSTITUTED UPON DISTRICT APPROVAL.
4. LOCATION AND FACILITY NUMBERS SHALL BE APPLIED BY CONTRACTOR OR MARKER MANUFACTURER.
5. ALL NUMBERS AND LETTERS SHALL BE 2-1/2" STENCILED BLACK.



**FACILITY DESIGNATION**

- V..... GATE VALVE
- BFV..... BUTTERFLY VALVE
- ARV..... AIR RELEASE VALVE
- BOV..... BLOWOFF VALVE
- PRS..... PRESSURE REDUCING STATION
- RS..... RECORDING STATION
- CTS..... CATHODIC TEST STATION
- CV..... CHECK VALVE
- XX"W..... (SIZE)" WATER MAIN  
(EXAMPLE 54" W)



**GUIDE AND LOCATION MARKERS**

SAN JUAN WATER DISTRICT

APPROVED

SCALE: NTS    PRINT DATE: 04/17/07    DETAIL NO: SHT 16 OF 27

NO	DATE	REVISIONS	APP	BY