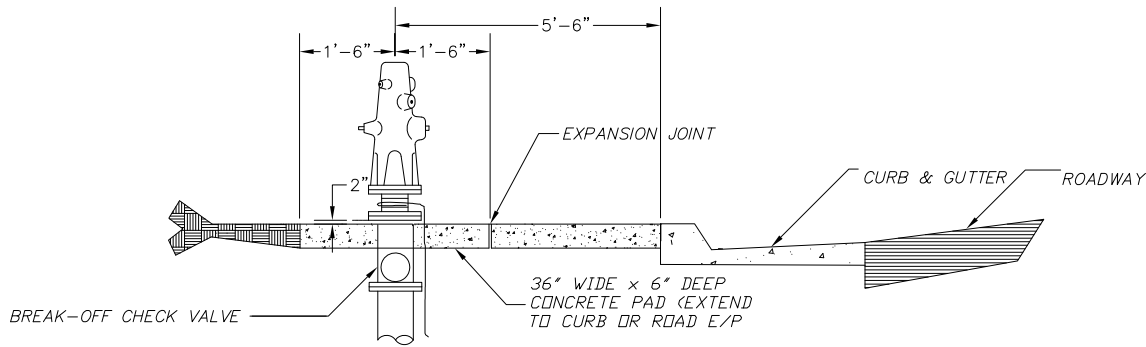
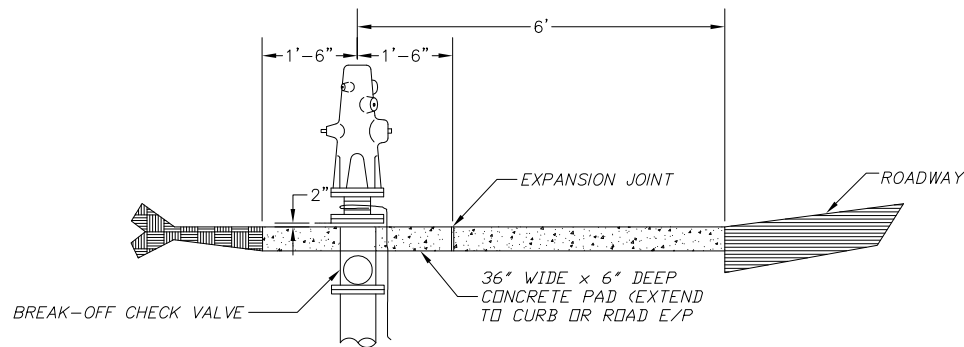


FIRE HYDRANT DETAIL (SIDEWALK)



FIRE HYDRANT DETAIL (CURB NO SIDEWALK)



FIRE HYDRANT DETAIL (PAVEMENT NO CURB)

NOTES:

1. PLACE FIRE HYDRANTS 5-1/2 FT BACK OF CURB WHERE NO SIDEWALK EXISTS.
2. HYDRANT CONCRETE PAD SUBGRADE SHALL BE CONSTRUCTED TO THE COUNTY REQUIREMENTS FOR ROADWAY CONSTRUCTION AND UNDERLYING SOIL SHALL HAVE A 95% RELATIVE COMPACTION MINIMUM, OR AS OTHERWISE DIRECTED PER SAN JUAN WATER DISTRICT.
3. WHEN REQUIRED BY SJWD GUIDE MARKERS SHALL CONFORM TO THE SJWD STANDARD GUIDE MARKER DETAIL (SHEET 16) DIRECTIONS. ROAD MARKER SHALL BE PLACED PER FIRE DEPT. OR COUNTY REQUIREMENTS.
4. THE FIRE HYDRANT SHALL BE LOCATED TO MAINTAIN A MINIMUM 3-FT CLEARANCE ON THREE SIDES FROM OBSTRUCTIONS, THE FOURTH SIDE, THE ACCESS SIDE, SHALL BE CLEAR OF ALL OBSTRUCTIONS.
5. UNDERGROUND ISOLATION VALVE ASSEMBLY IS TO BE PLACED ON MAIN IN STREET (AS SHOWN ON DETAIL SHEETS 2 AND 3).
6. FIRE HYDRANT LOCATION TO CONFORM WITH FIRE DEPARTMENT OR FIRE DISTRICT HAVING JURISDICTION AND SJWD DIRECTION.
7. FIRE HYDRANTS SHALL BE AWWA APPROVED WET BARREL, CLOW 960 OR DISTRICT APPROVED EQUIVALENT WITH BREAK-OFF CHECK VALVES AND FURNISHED WITH TWO LAYERS OF FACTORY APPLIED WHITE POLYURETHANE EPOXY COATING. (REF. TO WATER SYSTEM GENERAL NOTE "18").
8. IN COMMERCIAL AREAS PLACE FIRE HYDRANTS BETWEEN 3-1/2 FT TO 5-FT BACK OF CURB.
9. BOLLARD POSTS ARE REQUIRED WHERE FIRE HYDRANTS ARE LESS THAN 5-FT FROM BACK OF CURB OR WHEN DIRECTED TO BE PROVIDED BY SJWD.
10. SEE DETAIL SHEET 2 OR 3 FOR UNDERGROUND AND BOLLARD REQUIREMENTS.
11. BREAK-OFF CHECK VALVES REQUIRED ON ALL WET BARREL HYDRANTS WITH 6-IN MINIMUM LENGTH BREAKOFF SPOOL. PLACE UPPER FLANGE OF CHECK VALVE 2-IN ABOVE CONCRETE PAD.
12. ALL BOLTS SHALL BE NON-BREAKAWAY TYPE, GRADE 5 MINIMUM.
13. CONCRETE PAD AROUND BREAK-OFF CHECK VALVE SHALL BE 36-IN WIDE AND 6-IN DEEP (THICK) WITH 6-IN X 6-IN NO. 10 WELDED WIRE MESH AT MID-POINT OF CONCRETE SLAB. THE PAD SHALL EXTEND FROM THE HYDRANT TO CURB OR ROAD EDGE OF PAYMENT.
14. PROVIDE TONING/LOCATING WIRE PER STANDARD DETAIL SHEET 14 AND AS SHOWN HEREIN.

NO	DATE	REVISIONS	APP	BY



FIRE HYDRANTS
SAN JUAN WATER DISTRICT

APPROVED

SCALE: NTS PRINT DATE: 07/13/07 DETAIL NO: SHT 1 OF 27